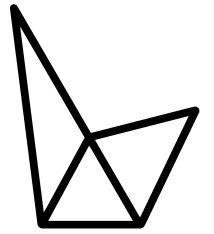
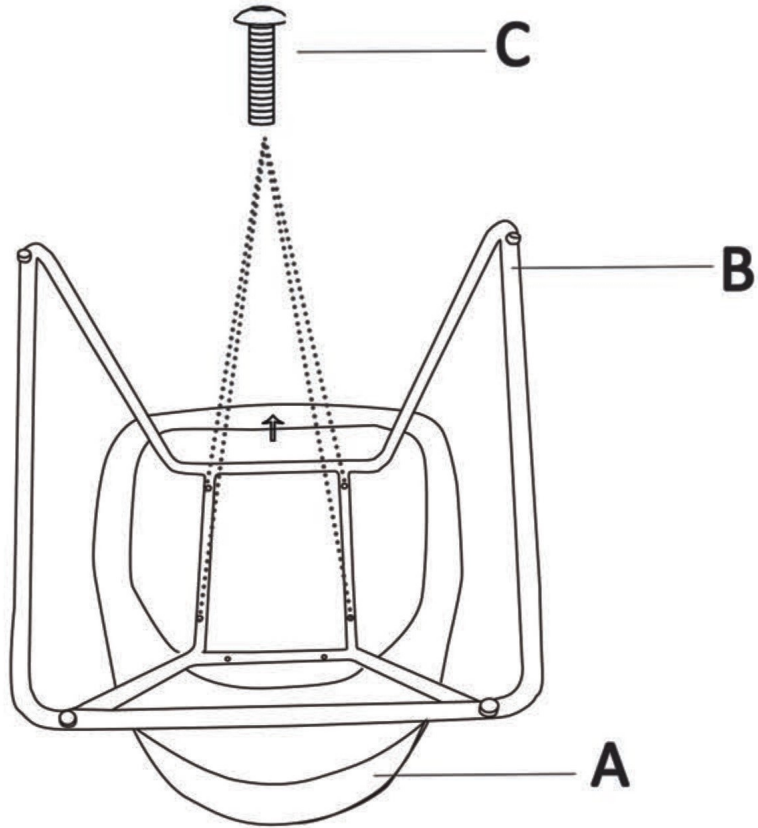


CITY



UNIQUE
DESIGN FOR PEOPLE

1.



2.



- | | | | |
|----------|---|----|---------|
| C |  | 4x | M6x30mm |
| D |  | 1x | M5 |