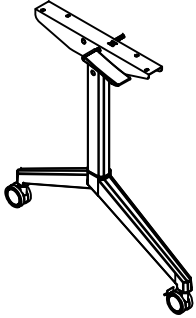
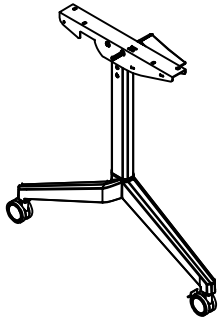
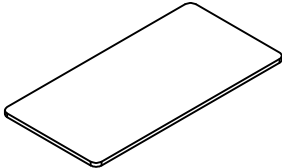
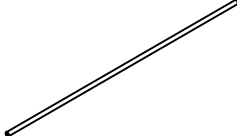
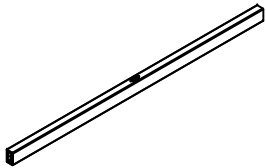
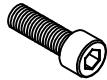


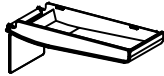
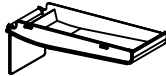





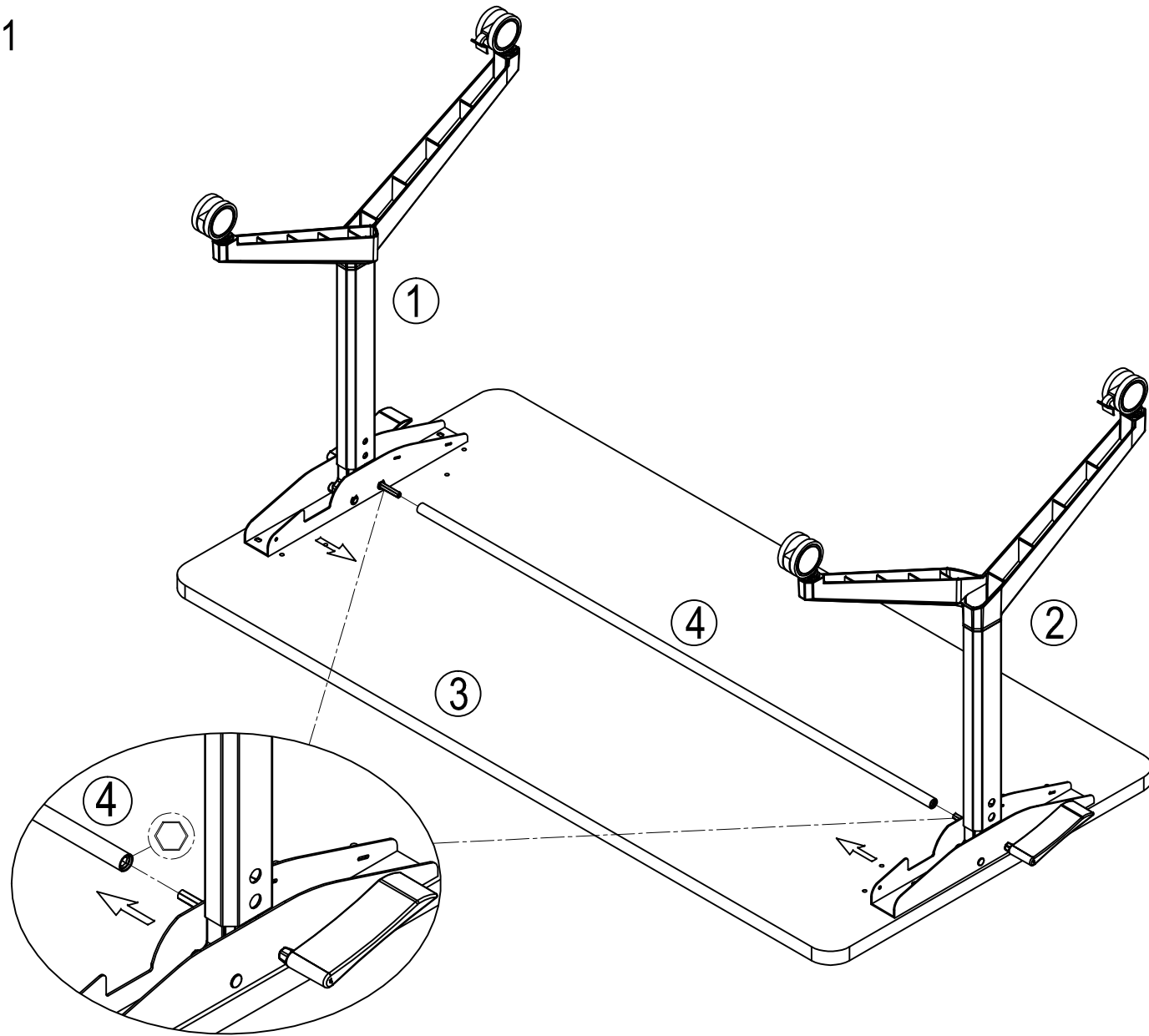
Part list

				
① x1	② x1	③ x1	④ x1	⑤ x1

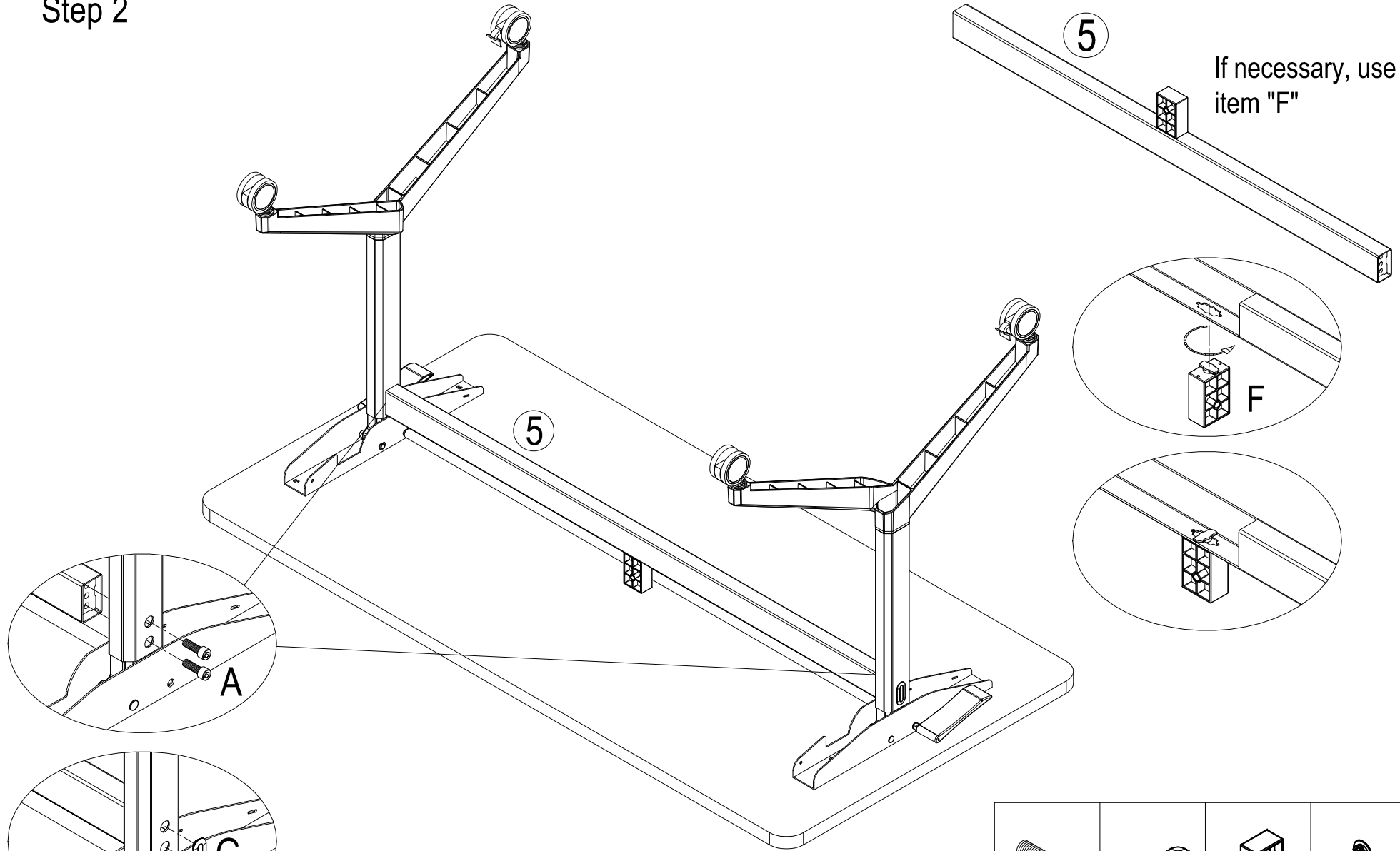
Hardware list

							
A x4 (M8x25)	B x8 (ST4.8x20)	C x1 (6mm)	D x1	E x1	F x1 If necessary	G x2	H x1

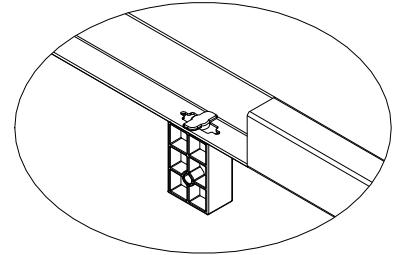
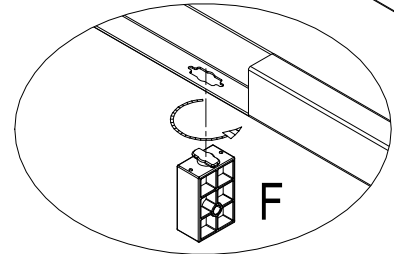
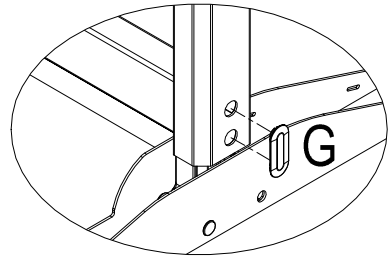
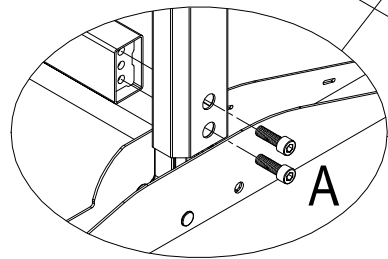
Step 1

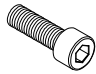

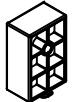



Step 2

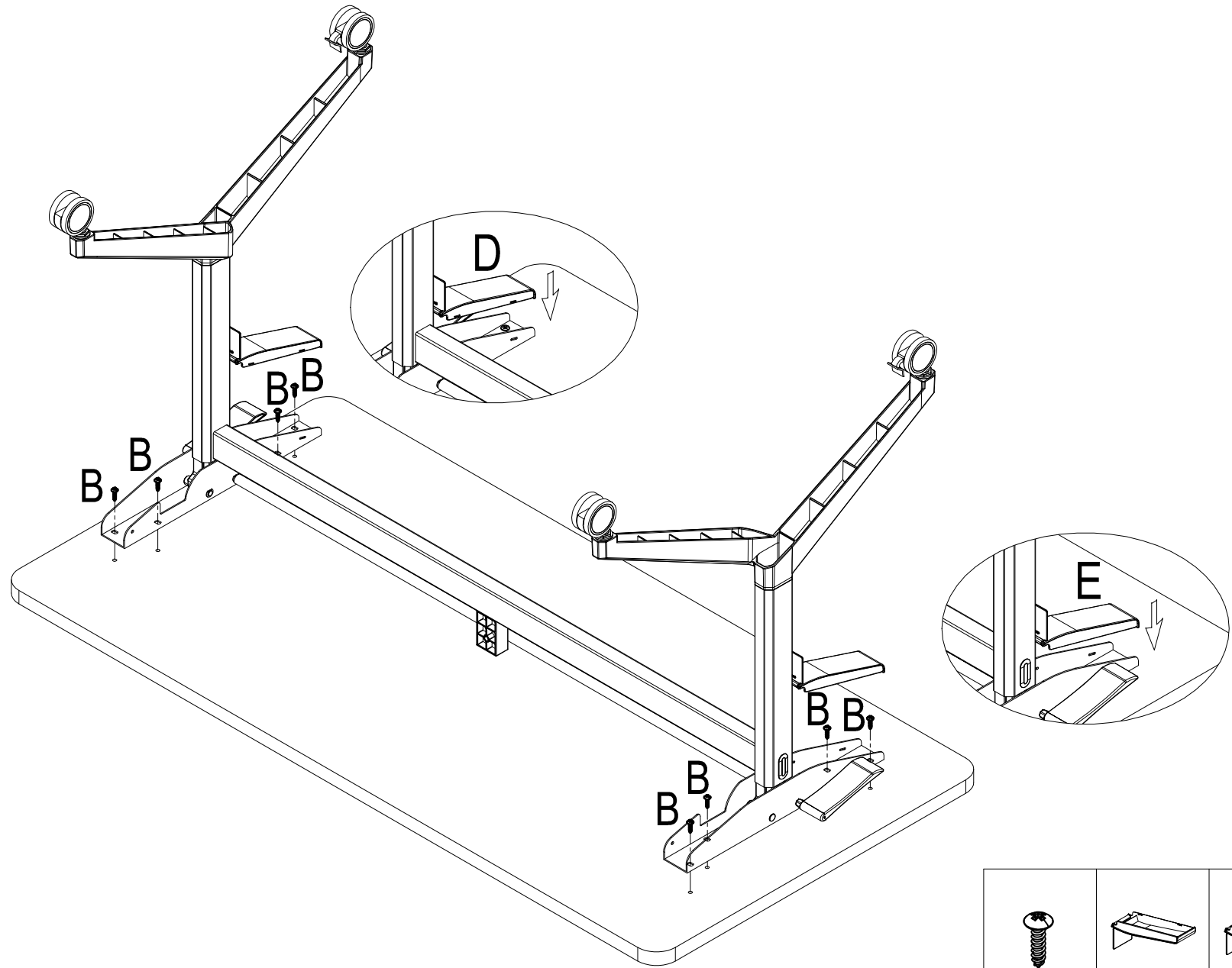



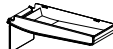

If necessary, use item "F"



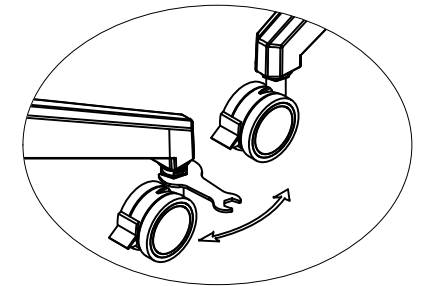
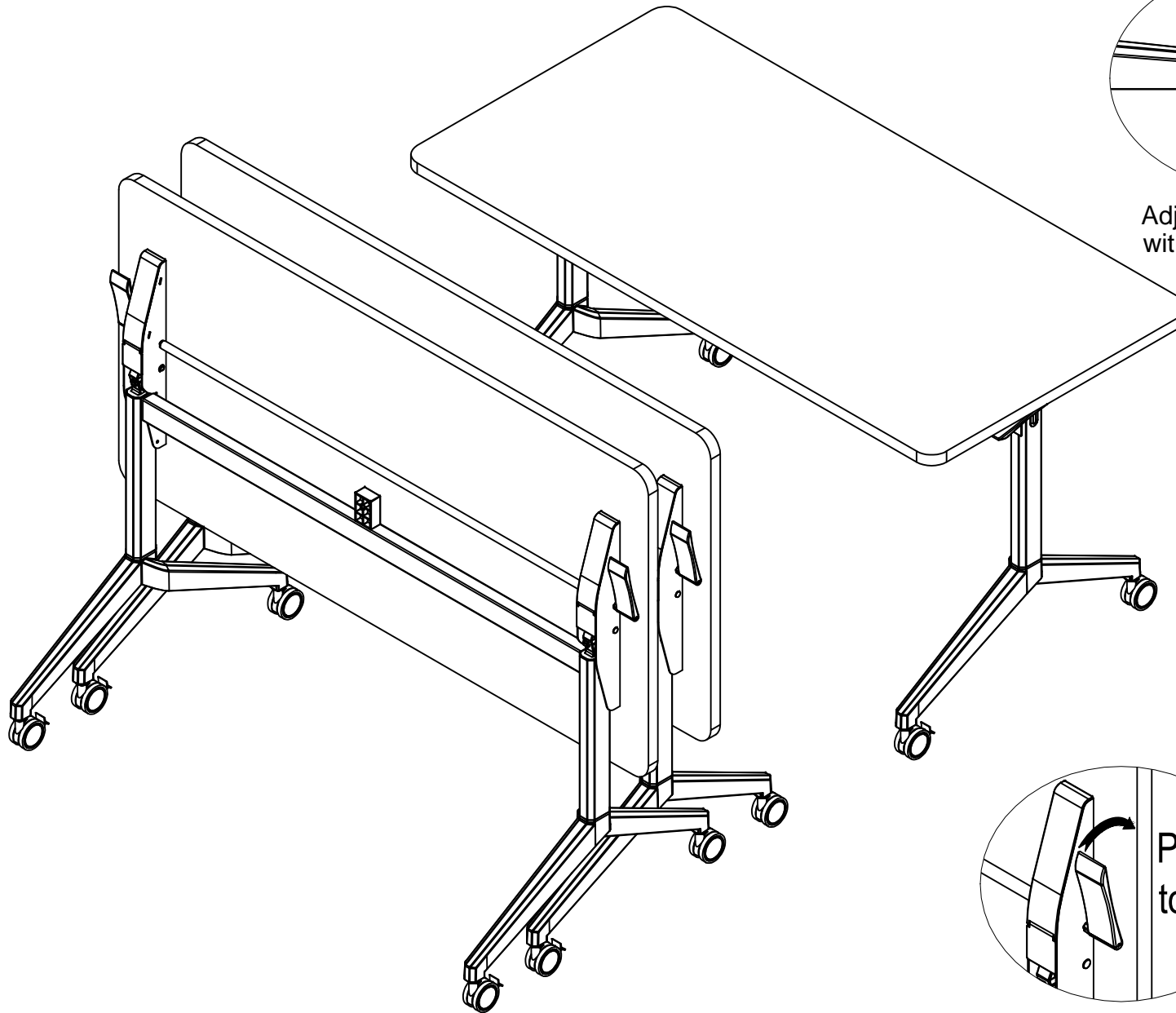
			
A x4	C x1	F x1 If necessary	G x2

Step 3

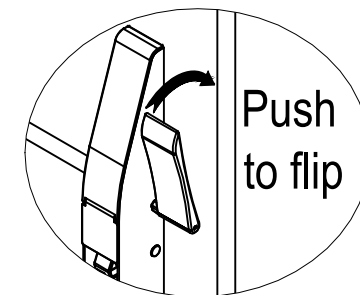


		
B x 8	D x 1	E x 1

Step 4



Adjust the wheel height with part H.



Push to flip



H x1